

DOOR SPECIFICATION

Steel doorsets **DFM DS** feature innovative design and robust construction. Door leaf is constructed of 2 steel skins 0.75mm with thick rebate on edges and rockwool infill 140 kg/m³ and tecbor board inside. Door frame is made of steel zinc coated sheet 1,5mm, corner type design.

DOOR SIZES

Size of doors **DFM DS 120-1** within frames:

- width: 517 mm ÷ 1034 mm
- height: 1730 mm ÷ 2307 mm

TECHNICAL PARAMETERS:

Fire resistance class:	EI ₂ 120
Mechanical resistance	class 3 acc.to EN 1192
Mechanical durability:	class C5 acc. to EN 12600; EN16034

STANDARD EQUIPMENT

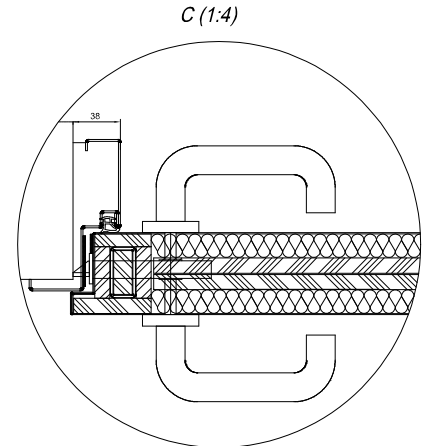
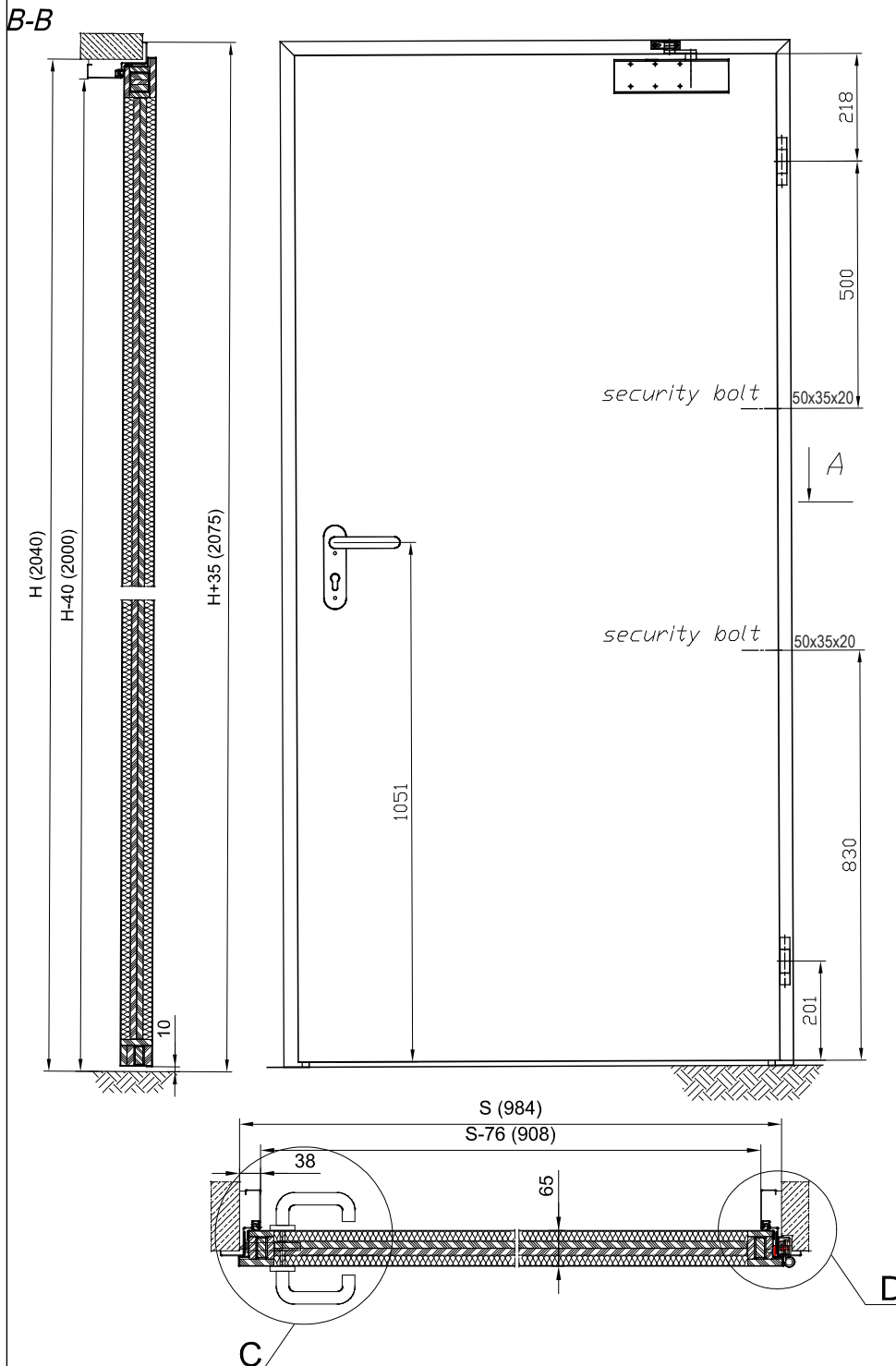
Standard equipment:

- Mortise latch and bolt lock,
- Set of stainless steel U-form handles on long shields,
- DIN eurocylinder and 3 standard keys,
- 2 pcs of stainless steel 3D hinges,
- 2 pcs of safety pins,
- Fire resistant intumescent gasket and rubber gasket,
- Powder coating to RAL,
- Alternative equipment and other door features on request.

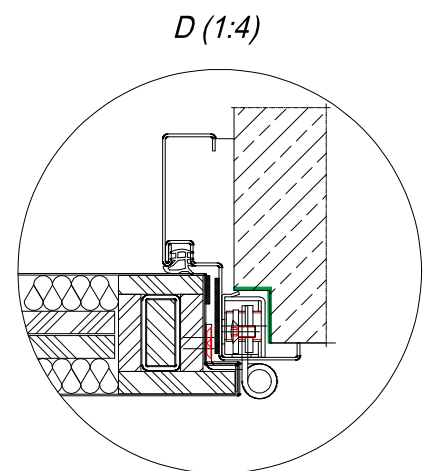
CERTIFICATE

Certificate of constancy of performance 23-10-CPR-W1116
EFFECTIS NL 2018-Efectis-R000534

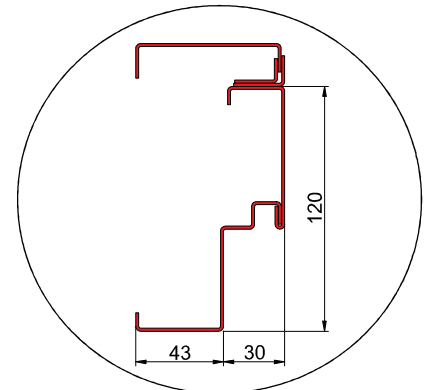
DRAWINGS



C - Lock side



**D - Hinge side - hinge 3D
3D hinge box 20x30x10**



Optional embracing frame

DOOR SPECIFICATION

Steel doorsets **DFM DS** feature innovative design and robust construction. Door leaf is constructed of 2 steel skins 0.75mm with thick rebate on edges and rockwool infill 140 kg/m³. Door frame is made of steel zinc coated sheet 1,5mm, corner type design.

DOOR SIZES

Size of doors **DFM DS 120-1** within frames:

- width: 517 mm ÷ 1034 mm
- height: 1730 mm ÷ 2307 mm

TECHNICAL PARAMETERS:

Fire resistance class:	EI ₂ 120
Mechanical resistance:	class 3 acc. to EN 1192
Mechanical durability:	class C5 acc. to EN 12600; EN16034

STANDARD EQUIPMENT

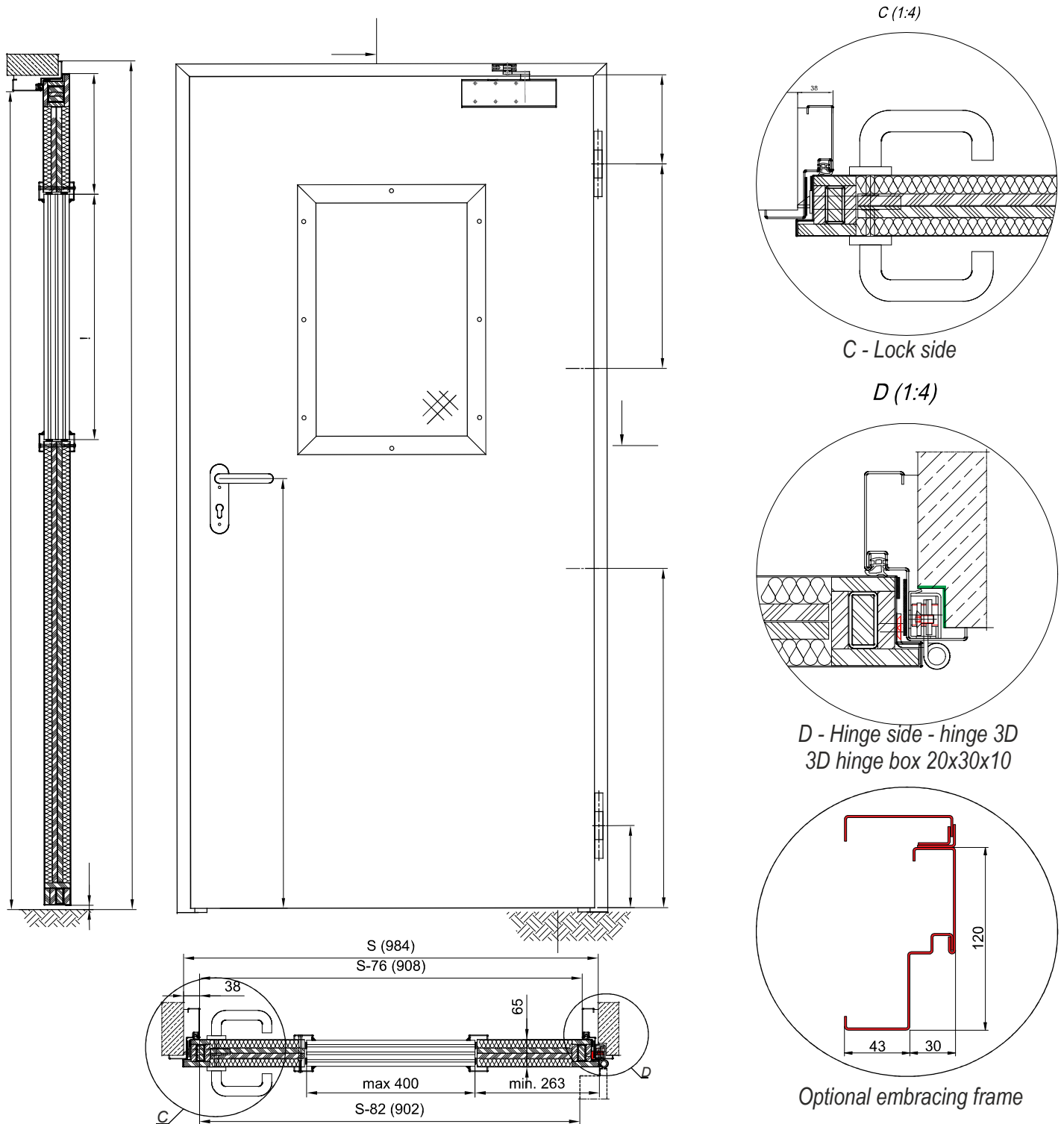
Standard equipment:

- Mortise latch and bolt lock,
- Set of stainless steel U-form handles on long shields,
- DIN eurocylinder and 3 standard keys,
- 2 pcs of stainless steel hinges,
- 2 pcs of safety pins,
- Fire resistant intumescent gasket and rubber gasket,
- Powder coating to RAL,
- Alternative equipment and other door features on request.

CERTIFICATE

Certificate of constancy of performance 23-10-CPR-W1116
EFFECTIS NL 2018-Efectis-R000534

DRAWINGS



DOOR SPECIFICATION

Steel doorsets **DFM DS** feature innovative design and robust construction. Door leaf is constructed of 2 steel skins 0.75mm with thick rebate on edges and rockwool infill 140 kg/m³. Door frame is made of steel zinc coated sheet 1,5mm, rectangular type design.

DOOR SIZES

Size of doors **DFM DS 120-1** within frames:

- width: 517 mm ÷ 1034 mm
- height: 1730 mm ÷ 2307 mm

TECHNICAL PARAMETERS:

Fire resistance class:	EL ₂ 120
Mechanical resistance	class 3 wg EN 1192
Mechanical durability:	class C5 wg EN 12400; EN16034

STANDARD EQUIPMENT

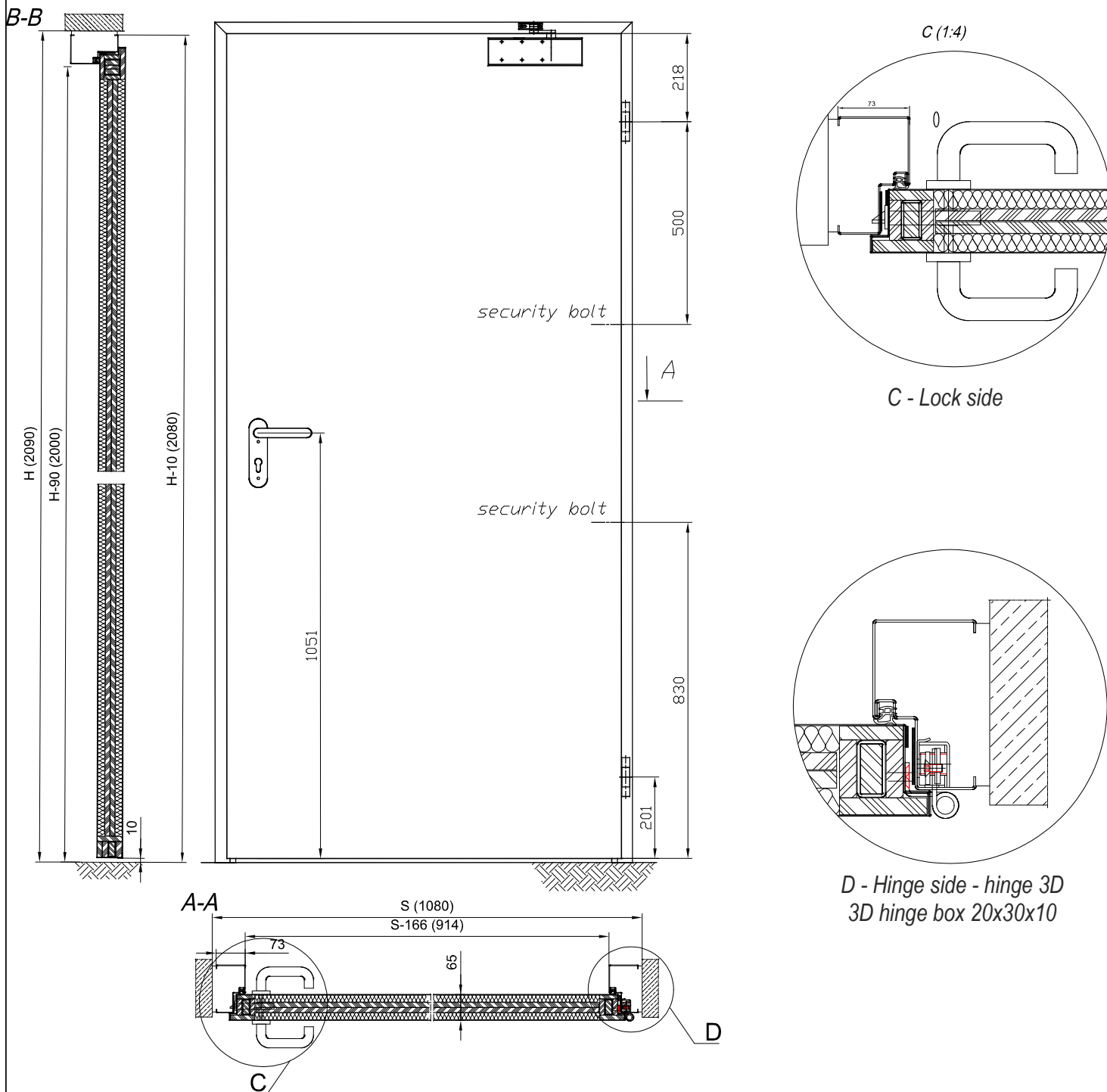
Standard equipment:

- Mortise latch and bolt lock,
- Set of stainless steel U-form handles on long shields,
- DIN eurocylinder and 3 standard keys,
- 2 pcs of stainless steel hinges,
- 2 pcs of safety pins,
- Fire resistant intumescent gasket and rubber gasket,
- Powder coating to RAL,
- Alternative equipment and other door features on request.

CERTIFICATE

Certificate of constancy of performance 23-10-CPR-W1116
EFFECTIS NL 2018-Efectis-R000534

DRAWINGS



DOOR SPECIFICATION

Steel doorsets **DFM DS** feature innovative design and robust construction. Door leaf is constructed of 2 steel skins 0.75mm with thick rebate on edges and rockwool infill 140 kg/m³. Door frame is made of steel zinc coated sheet 1,5mm, rectangular type design.

DOOR SIZES

Size of doors **DFM DS 120-1** within frames:

- width: 517 mm ÷ 1034 mm
- height: 1730 mm ÷ 2307 mm

TECHNICAL PARAMETERS:

Fire resistance class:	EI ₂ 120
Mechanical resistance	class 3 wg EN 1192
Mechanical durability:	class C5 wg EN 12400; EN16034

STANDARD EQUIPMENT

Standard equipment:

- Mortise latch and bolt lock,
- Set of stainless steel U-form handles on long shields,
- DIN eurocylinder and 3 standard keys,
- 2 pcs of stainless steel hinges,
- 2 pcs of safety pins,
- Fire resistant intumescent gasket and rubber gasket,
- Powder coating to RAL,
- Alternative equipment and other door features on request.

CERTIFICATE

Certificate of constancy of performance 23-10-CPR-W1116
EFECTIS NL 2018-Efectis-R000534

DRAWINGS

