

**CORNER FRAME**

**DOOR SPECIFICATION**

- custom manufacturing
- leaf with thick rebate 18 x 18 mm
- rigid aluminum frame
- leaf thickness 65 mm
- leaf construction of 2 steel skins 0.75 mm
- rockwool infill 120 kg/m<sup>3</sup>, leaf weight = 25.5 kg/m<sup>2</sup>
- powder coating, RAL palette

**DOOR SIZES**

	internal / external door
S width max.	1250 mm
H height max.	2500 mm

**CERTIFICATES**

National Technical Assessment (KOT), ITB  
Certificate of Constancy of Performance, Certbud; CE marking- external doors

**STANDARD EQUIPMENT**

- 2 pcs of non-adjustable stainless steel hinges (optional: 2 pcs of stainless steel 3D hinges)
- 2 pcs of safety pins (in case of 3 hinges - 1 pc of safety pin)
- DIN eurocylinder and 3 standard keys
- set of stainless steel U-form handles on long shields
- perimeter rubber gasket, EPDM gasket placed in door frame
- reinforcement for door closer
- alternative equipment and other door features on request

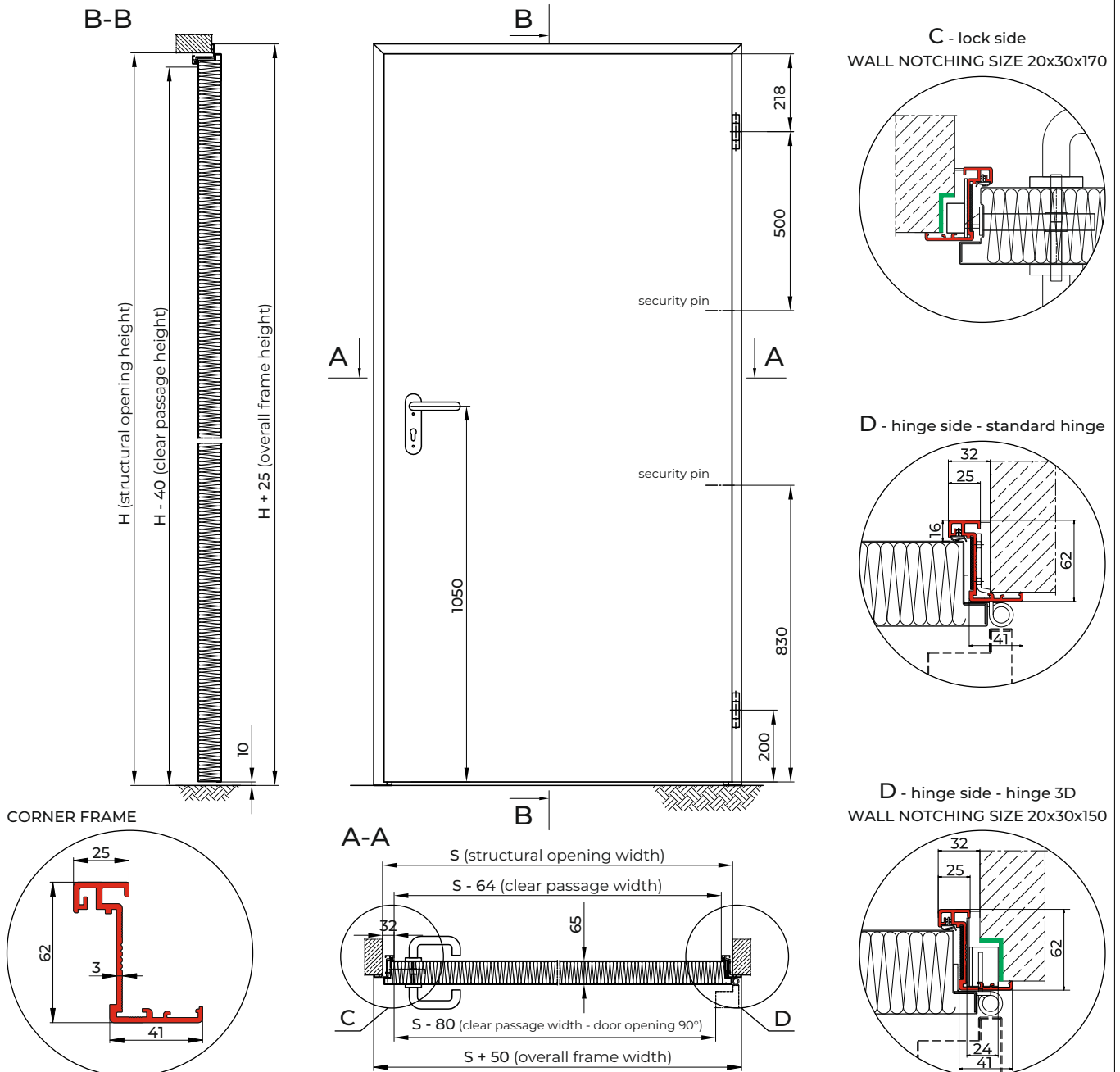
**OPTIONAL DOOR CONSTRUCTION**

- glazed with rectangular or round glazing, single or double glass
- fitted with ventilation grill(s)

**TECHNICAL PARAMETERS**

Mechanical resistance	class 3 according to standard EN1192 optional class 4 according to standard EN1192
Mechanical durability	class 6 according to standard EN12400
Thermal insulation	from 0,92 Ud [W/m <sup>2</sup> K] full door
Acoustic insulation	Rw (C;Ctr) = 36 (-2;-6) dB full door Rw (C;Ctr) = 36 (-2;-5) dB glazed door
Corrosion class	C3 (optional C5)

**DRAWINGS**



**CORNER FRAME**

**DOOR SPECIFICATION**

- custom manufacturing
- leaf with thick rebate 18 x 18 mm
- rigid aluminum frame
- leaf thickness 65 mm
- leaf construction of 2 steel skins 0.75 mm
- rockwool infill 120 kg/m<sup>3</sup>, leaf weight = 25.5 kg/m<sup>2</sup>
- powder coating, RAL palette

**DOOR SIZES**

	internal / external door
S width max.	2500 mm
H height max.	2500 mm

**CERTIFICATES**

National Technical Assessment (KOT), ITB  
Certificate of Constancy of Performance, Certbud; CE marking- external doors

**STANDARD EQUIPMENT**

- 2 pcs of non-adjustable stainless steel hinges (optional: 2 pcs of stainless steel 3D hinges)
- 2 pcs of safety pins (in case of 3 hinges - 1 pc of safety pin)
- DIN eurocylinder and 3 standard keys
- set of stainless steel U-form handles on long shields
- perimeter rubber gasket, EPDM gasket placed in door frame
- reinforcement for door closer
- flush bolt in astragal of passive leaf
- alternative equipment and other door features on request

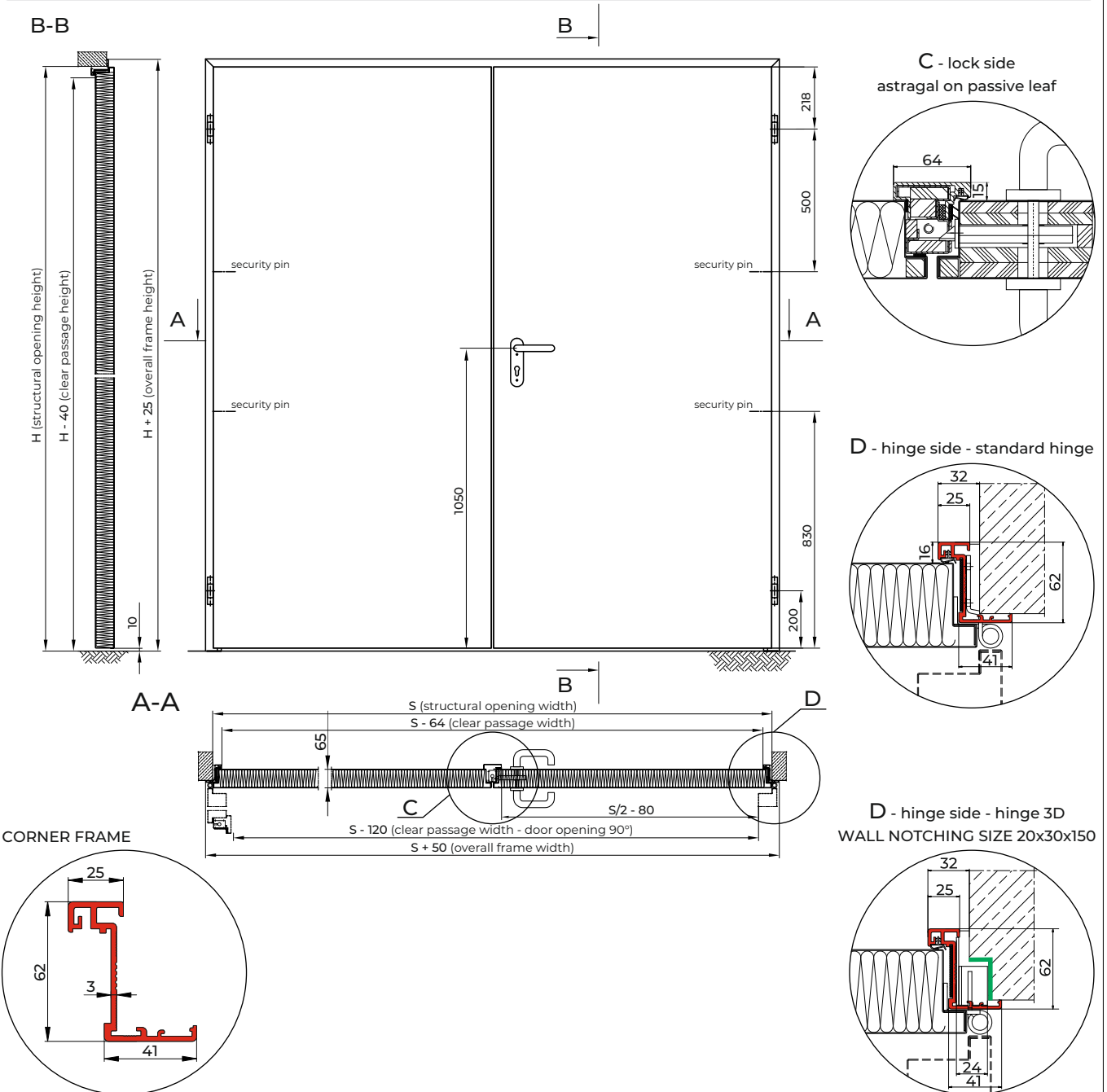
**OPTIONAL DOOR CONSTRUCTION**

- glazed with rectangular or round glazing, single or double glass
- fitted with ventilation grill(s)

**TECHNICAL PARAMETERS**

Mechanical resistance	class 3 according to standard EN1192 optional class 4 according to standard EN1192
Mechanical durability	class 6 according to standard EN12400
Thermal insulation	min. 1; Ud [W/m <sup>2</sup> K] full door
Acoustic insulation	optional Rw (C,Ctr) = 36 (-2;-6) dB full door; glazed door untested
Corrosion class	C3 (optional C5)

**DRAWINGS**



EMBRACING FRAME

DOOR SPECIFICATION

- custom manufacturing
- leaf with thick rebate 18 x 18 mm
- rigid aluminum frame
- leaf thickness 65 mm
- leaf construction of 2 steel skins 0.75 mm
- rockwool infill 120 kg/m<sup>3</sup>, leaf weight = 25.5 kg/m<sup>2</sup>
- powder coating, RAL palette

DOOR SIZES

	internal / external door
S width max.	1250 mm
H height max.	2500 mm

CERTIFICATES

National Technical Assessment (KOT), ITB  
Certificate of Constancy of Performance, Certbud; CE marking- external doors

STANDARD EQUIPMENT

- 2 pcs of non-adjustable stainless steel hinges (optional: 2 pcs of stainless steel 3D hinges)
- 2 pcs of safety pins (in case of 3 hinges - 1 pc of safety pin)
- DIN eurocylinder and 3 standard keys
- set of stainless steel U-form handles on long shields
- perimeter rubber gasket, EPDM gasket placed in door frame
- reinforcement for door closer
- alternative equipment and other door features on request

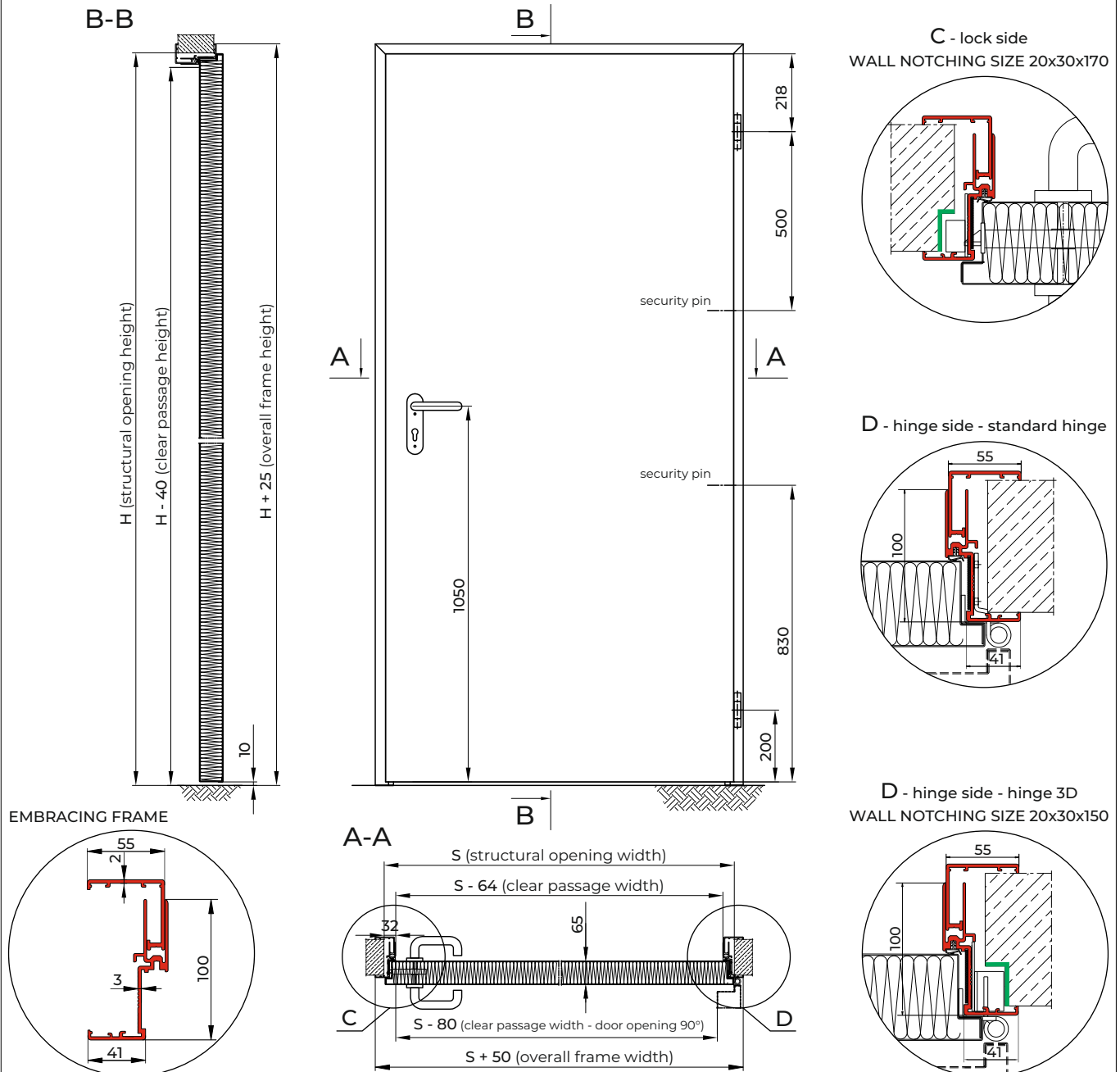
OPTIONAL DOOR CONSTRUCTION

- glazed with rectangular or round glazing, single or double glass
- fitted with ventilation grill(s)

TECHNICAL PARAMETERS

Mechanical resistance	class 3 according to standard EN1192 optional class 4 according to standard EN1192
Mechanical durability	class 6 according to standard EN12400
Thermal insulation	1,2 Ud [W/m <sup>2</sup> K] full door with std. embracing frame 1,1 Ud [W/m <sup>2</sup> K] full door with RPT embracing frame
Acoustic insulation	Rw (C,Ctr) = 36 (-2;-6) dB full door Rw (C,Ctr) = 36 (-2;-5) dB glazed door
Corrosion class	C3 (optional C5)

DRAWINGS



**EMBRACING FRAME**

**DOOR SPECIFICATION**

- custom manufacturing
- leaf with thick rebate 18 x 18 mm
- rigid aluminum frame
- leaf thickness 65 mm
- leaf construction of 2 steel skins 0.75 mm
- rockwool infill 120 kg/m<sup>3</sup>, leaf weight = 25.5 kg/m<sup>2</sup>
- powder coating, RAL palette

**DOOR SIZES**

	internal / external door
S width max.	2500 mm
H height max.	2500 mm

**CERTIFICATES**

National Technical Assessment (KOT), ITB  
Certificate of Constancy of Performance, Certbud; CE marking- external doors

**STANDARD EQUIPMENT**

- 2 pcs of non-adjustable stainless steel hinges (optional: 2 pcs of stainless steel 3D hinges)
- 2 pcs of safety pins (in case of 3 hinges - 1 pc of safety pin)
- DIN eurocylinder and 3 standard keys
- set of stainless steel U-form handles on long shields
- perimeter rubber gasket, EPDM gasket placed in door frame
- reinforcement for door closer
- flush bolt in astragal of passive leaf
- alternative equipment and other door features on request

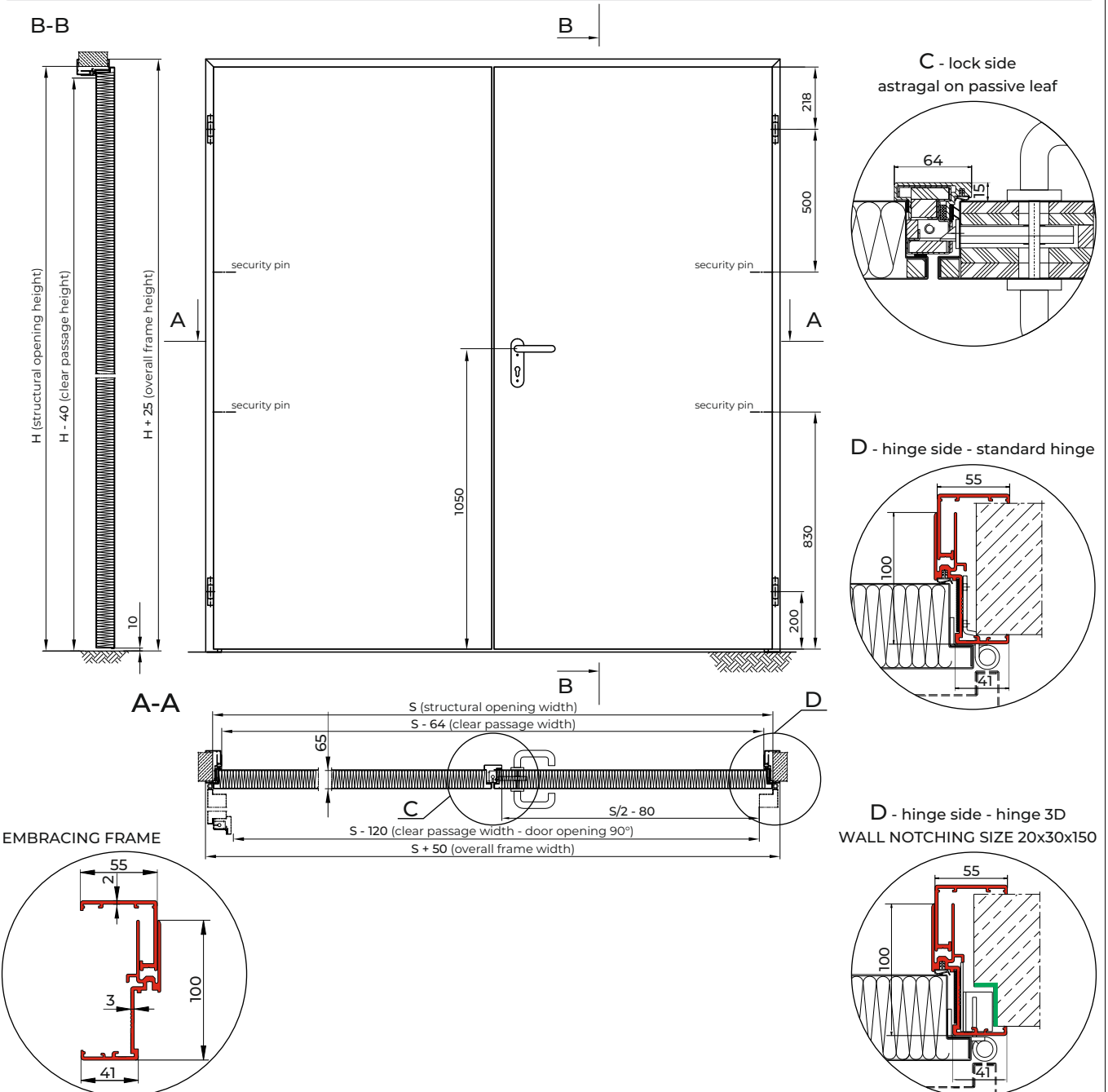
**OPTIONAL DOOR CONSTRUCTION**

- glazed with rectangular or round glazing, single or double glass
- fitted with ventilation grill(s)

**TECHNICAL PARAMETERS**

Mechanical resistance	class 3 according to standard EN1192 optional class 4 according to standard EN1192
Mechanical durability	class 6 according to standard EN12400
Thermal insulation	1,2 Ud [W/m <sup>2</sup> K] full door with std. embracing frame 1,2 Ud [W/m <sup>2</sup> K] full door with RPT embracing frame
Acoustic insulation	Rw (C,Ctr) = 36 (-1,-3) dB full door; glazed door untested
Corrosion class	C3 (optional C5)

**DRAWINGS**



RECTANGULAR FRAME

DOOR SPECIFICATION

- custom manufacturing
- leaf with thick rebate 18 x 18 mm
- rigid aluminum frame
- leaf thickness 65 mm
- leaf construction of 2 steel skins 0.75 mm
- rockwool infill 120 kg/m<sup>3</sup>, leaf weight = 25.5 kg/m<sup>2</sup>
- powder coating, RAL palette

DOOR SIZES

	internal / external door
S width max.	1320 mm
H height max.	2500 mm

CERTIFICATES

National Technical Assessment (KOT), ITB  
Certificate of Constancy of Performance, Certbud; CE marking- external doors

STANDARD EQUIPMENT

- 2 pcs of non-adjustable stainless steel hinges (optional: 2 pcs of stainless steel 3D hinges)
- 2 pcs of safety pins (in case of 3 hinges - 1 pc of safety pin)
- DIN eurocylinder and 3 standard keys
- set of stainless steel U-form handles on long shields
- perimeter rubber gasket, EPDM gasket placed in door frame
- reinforcement for door closer
- alternative equipment and other door features on request

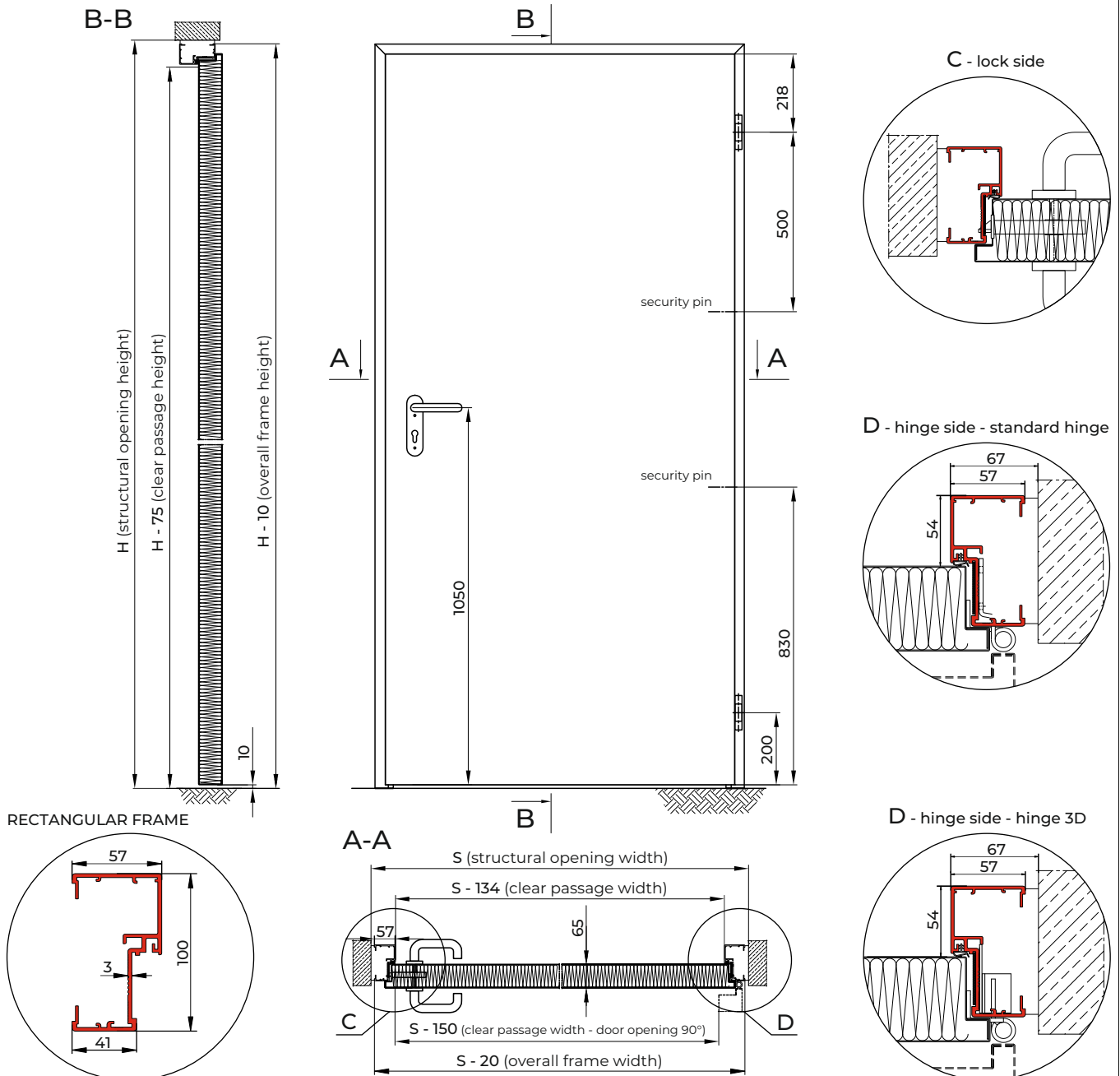
OPTIONAL DOOR CONSTRUCTION

- glazed with rectangular or round glazing, single or double glass
- fitted with ventilation grill(s)

TECHNICAL PARAMETERS

Mechanical resistance	class 3 according to standard EN1192 optional class 4 according to standard EN1192
Mechanical durability	class 6 according to standard EN12400
Thermal insulation	1,6 Ud [W/m <sup>2</sup> K] full door with std. rectangular frame 1,2 Ud [W/m <sup>2</sup> K] full door with RPT rectangular frame
Acoustic insulation	Rw (C,Ctr) = 36 (-2;-5) dB full door Rw (C,Ctr) = 36 (-2;-5) dB glazed door
Corrosion class	C3 (optional C5)

DRAWINGS



RECTANGULAR FRAME

DOOR SPECIFICATION

- custom manufacturing
- leaf with thick rebate 18 x 18 mm
- rigid aluminum frame
- leaf thickness 65 mm
- leaf construction of 2 steel skins 0.75 mm
- rockwool infill 120 kg/m<sup>3</sup>, leaf weight = 25.5 kg/m<sup>2</sup>
- powder coating, RAL palette

DOOR SIZES

	internal / external door
S width max.	2500 mm
H height max.	2500 mm

CERTIFICATES

National Technical Assessment (KOT), ITB  
Certificate of Constancy of Performance, Certbud; CE marking- external doors

STANDARD EQUIPMENT

- 2 pcs of non-adjustable stainless steel hinges (optional: 2 pcs of stainless steel 3D hinges)
- 2 pcs of safety pins (in case of 3 hinges - 1 pc of safety pin)
- DIN eurocylinder and 3 standard keys
- set of stainless steel U-form handles on long shields
- perimeter rubber gasket, EPDM gasket placed in door frame
- reinforcement for door closer
- flush bolt in astragal of passive leaf
- alternative equipment and other door features on request

OPTIONAL DOOR CONSTRUCTION

- glazed with rectangular or round glazing, single or double glass
- fitted with ventilation grill(s)

TECHNICAL PARAMETERS

Mechanical resistance	class 3 according to standard EN1192 optional class 4 according to standard EN1192
Mechanical durability	class 5 according to standard EN16034
Thermal insulation	1,4 Ud [W/m <sup>2</sup> K] full door with std. rectangular frame 1,3 Ud [W/m <sup>2</sup> K] full door with RPT rectangular frame
Acoustic insulation	Rw (C,Ctr) = 36 (-1,-3) dB full door; glazed door untested
Corrosion class	C3 (optional C5)

DRAWINGS

