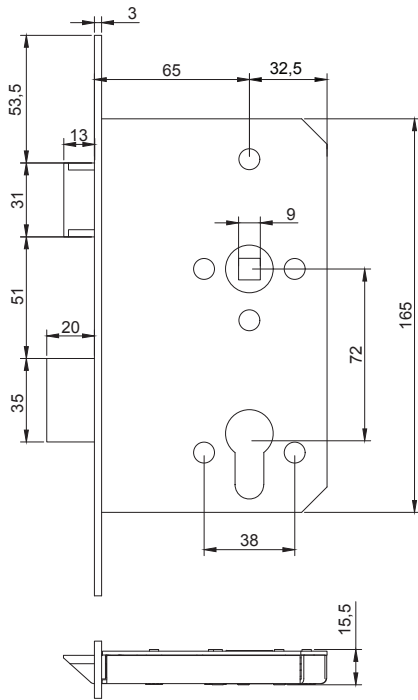
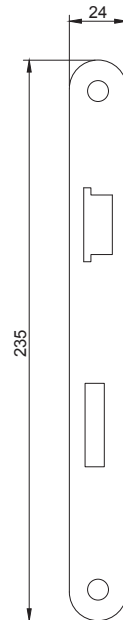




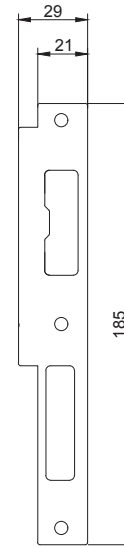
- standard 1-point lock GBS 81 (Eco Schulte) for doors DFM DS 00 / DFM DS 30 / DFM DS 30B / DFM DS 60 / DFM DS 60B-1 / DFM OS 00 / DFM OS 60 / DFM DS 120
- construction: mortise, latch and deadbolt, PZ cylinder, Wechsel function
- made of galvanized steel, stainless steel 24 mm fore-plate
- size (dornmass): 65 mm/72 mm, square: 9 mm
- compatible with fittings: handle-handle, handle-knob
- Certificate of Constancy of Performance according to EN 12209 standard



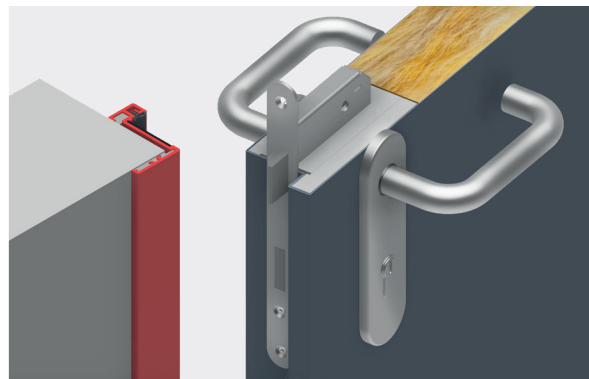
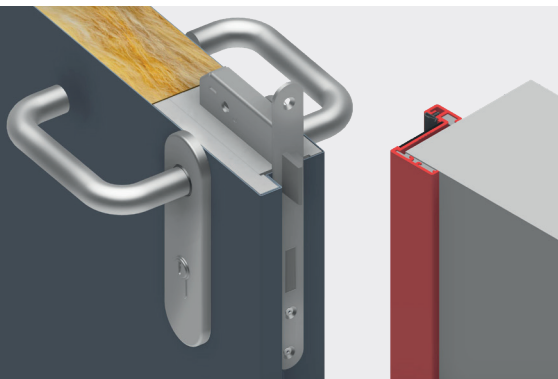
→ standard lock – sizes



→ fore-plate of lock



→ strike plate

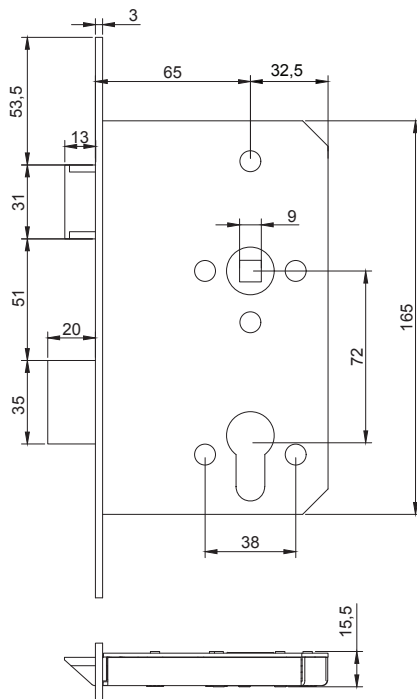


application defined:
DIN left
DIN right

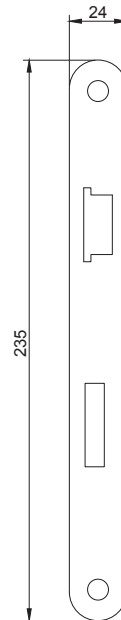
PANIC LOCK, function B, D, E



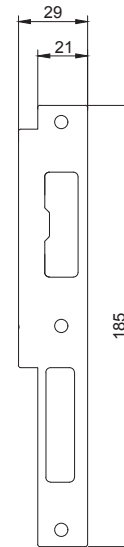
- 1-point panic lock GBS 92 (Eco Schulte) for doors DFM DS 00 / DFM DS 30 / DFM DS 30B / DFM DS 60 / DFM DS 60B-1 / DFM OS 00 / DFM OS 60 / DFM DS 120; for single-leaf doors, or double-leaf doors with panic function on active leaf only
- panic functions implemented: B, D, and E
- intended for evacuation routes: as panic locking (EN 1125 standard) and emergency exit locking (EN 179)
- construction: mortise, made of galvanized steel, with latch and deadbolt, PZ cylinder
- size (dormmass): 65 mm/72 mm, square: 9 mm
- made of galvanized steel, stainless steel 24 mm fore-plate
- compatible with fittings: handle-handle, handle-panic bar, knob-panic bar, knob-handle
- Certificate of Constancy of Performance according to EN 12209 standard



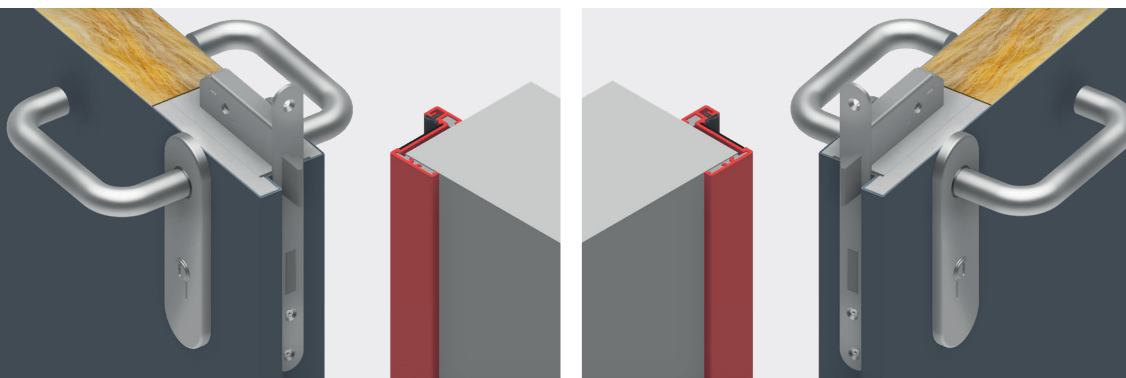
→ panic lock – sizes



→ fore-plate of lock



→ strike plate

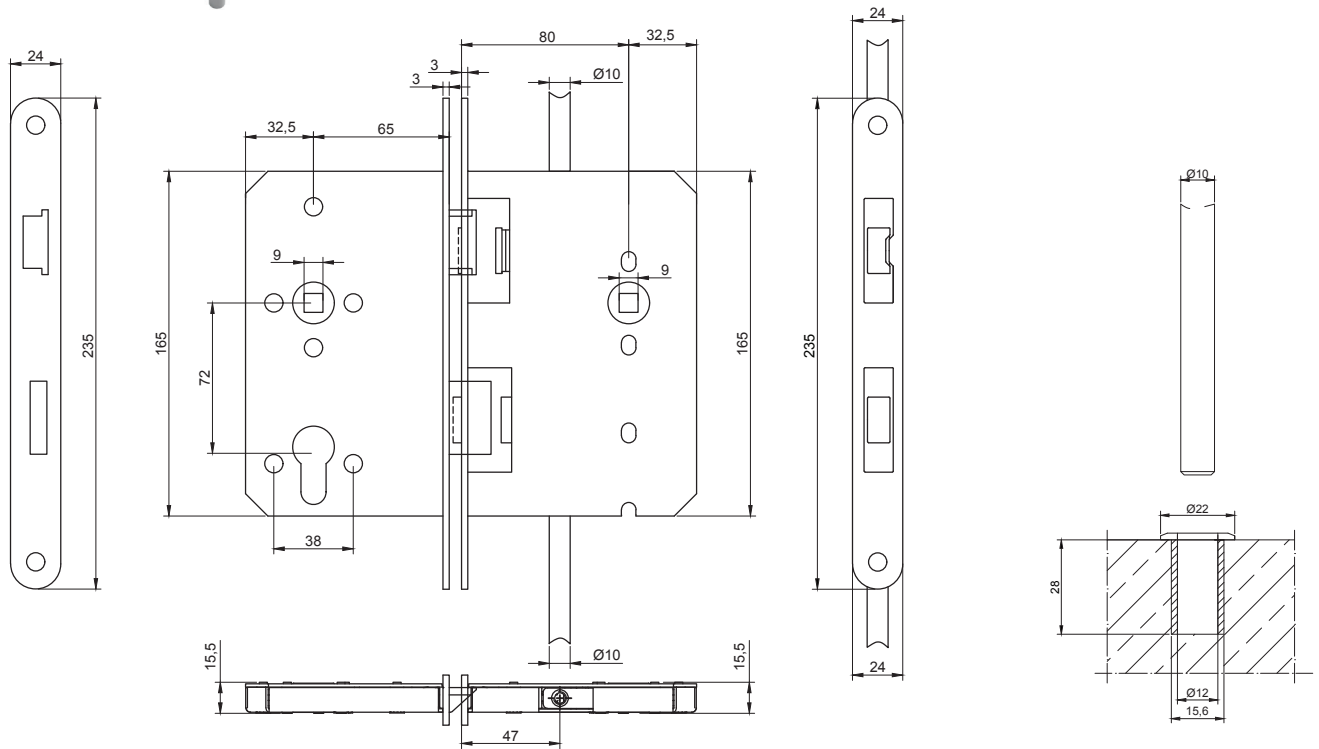


application defined:
DIN left
DIN right

PANIC LOCK, function B, D, E for double-leaf doors



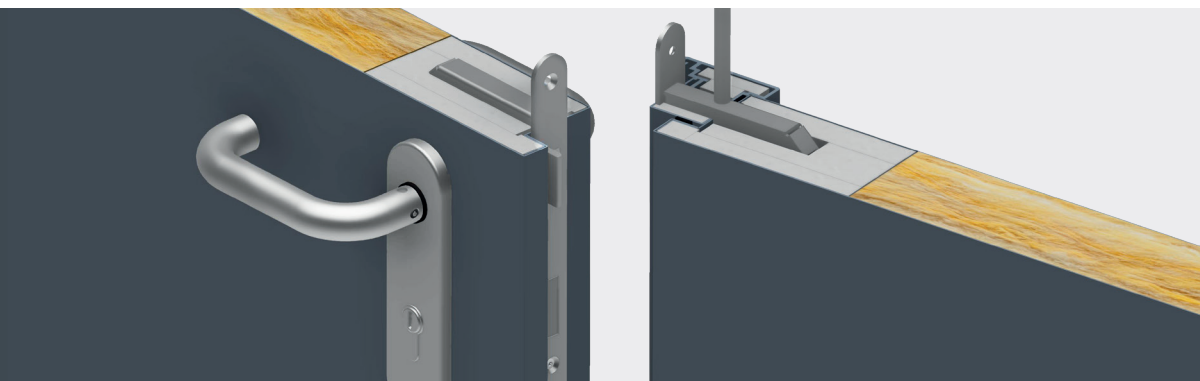
- set of a 1-point panic lock GBS 93 and its counter lock GBS 94 (Eco Schulte) with panic function on both door leaves for doors DFM DS 00 / DFM DS 30 / DFM DS 30B / DFM DS 60 / DFM OS 00 / DFM OS 60 / DFM DS 120
- panic functions implemented: B, D, and E
- intended for evacuation routes: as panic locking (EN 1125 standard) and emergency exit locking (EN 179)
- construction: mortise, made of galvanized steel, with latch and deadbolt, PZ cylinder; stainless steel 24 mm fore-plate
- size of lock GBS 93 (dormmass): 65 mm/72 mm, square: 9 mm
- size of counter lock GBS 94 (dormmass): 80 or 120 mm/72 mm, square: 9 mm; counter lock is fitted with top and bottom rods; floor sleeve is obligatory
- compatible with fittings: handle-handle, handle-panic bar, knob-panic bar, knob-handle
- Certificate of Constasy of Performance according to EN 12209 standard



→ panic lock

→ counter lock

→ floor sleeve



set of panic lock for double leaf doors
intended for evacuation routes, in concordance with EN 1125 and EN 179